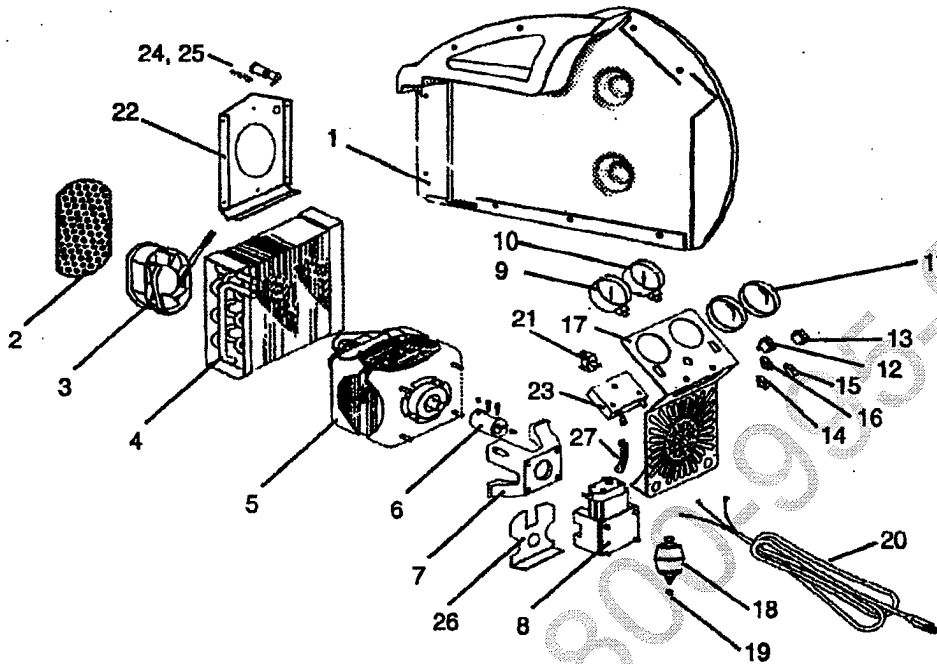


RG5410A-E DIAGRAM



RG5410A-E PARTS LIST

ITEM DESCRIPTION	PART#	ITEM DESCRIPTION	PART#	ITEM DESCRIPTION	PART#
1 PLASTIC CASE	100134 L&R	10 OUTPUT GAUGE	GA0800	19 FLARE CAP	NB6501
2 FAN GRILL	100505	11 GAUGE LENS	GA1000	20 CORD SET	100222
3 AXIAL FAN	EL1818	12 ON/OFF SWITCH	EL1310	21 HIGH PRESSURE SW	100339
4 CONDENSER	100978	13 START SWITCH	EL1309	22 BACK PLATE	100318
5 MOTOR	EL1822	14 BLUE KNOB	100123	23 MANIFOLD	700133
6 COUPLER	CP1315	15 RED KNOB	100124	24 FUSE HOLDER	100419
7 BELL HOUSING	CP1001	16 BLACK KNOB	100122	25 FUSE - 5x20mm	100406
8 COMPRESSOR	CP1320	17 FRONT PANEL	100137	26 COMPRESSOR BRACKET	100209
9 INPUT GAUGE	GA1500	18 FILTER	100343	27 HOSE 4"	100345

REPLACEMENT KITS & ACCESSORIES

PART#	DESCRIPTION
KT3302	PISTON SEAL REPLACEMENT (middle section of compressor)
KT3303	VALVE REPLACEMENT KIT (top section of compressor)
KT3307	COMPRESSOR REPAIR KIT (all three sections of compressor)
KT3308	SHAFT REPLACEMENT KIT (bottom section of compressor)
RGT30	30 LB RECOVERY TANK (350 psi working pressure) with capacity sensor
RGT30NS	SAME AS RGT30, WITHOUT SENSOR
RGT50	50 LB RECOVERY TANK (350 psi working pressure) with capacity sensor
RGT50NS	SAME AS RGT50, WITHOUT SENSOR
RGT50HP	50 LB RECOVERY TANK, HIGH PRESSURE (400 psi working pressure) with capacity sensor
ADS-100	REFRIGERANT SCALE, 200LB CAPACITY, WITH REMOVABLE PLATFORM