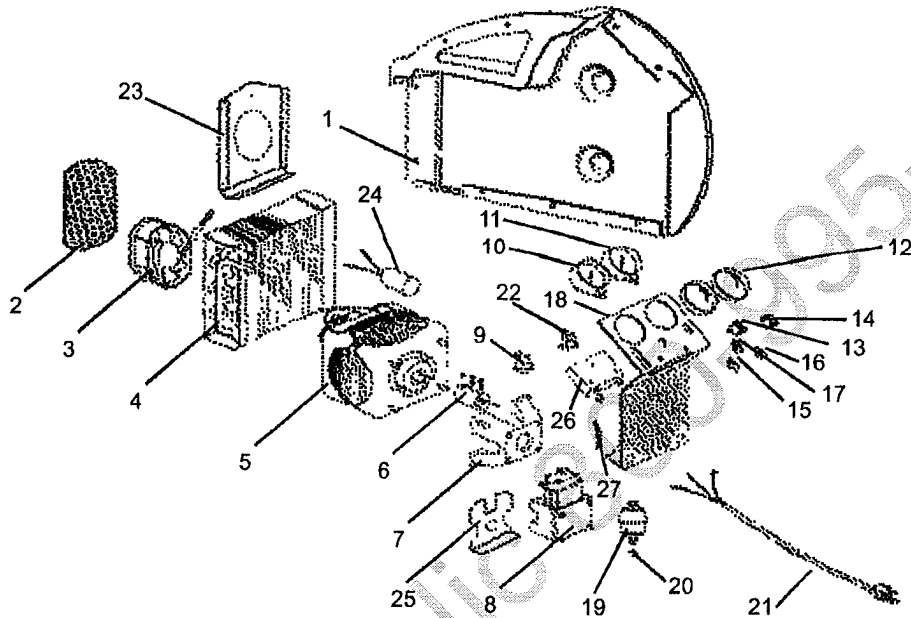


## RG5410A DIAGRAM



## RG5410A PARTS LIST

ITEM DESCRIPTION	PART#	ITEM DESCRIPTION	PART#	ITEM DESCRIPTION	PART#
1 PLASTIC CASE	100134 (L&R)	10 INPUT GAUGE	GA1500	19 FILTER	100343
2 FAN GRILL	100505	11 OUTPUT GAUGE	GA0800	20 FLARE CAP	NB6501
3 AXIAL FAN	EL1817	12 GAUGE LENS	GA1000	21 CORD SET	100162
4 CONDENSER	CD1201	13 ON/OFF SWITCH	EL1310	22 HIGH PRESSURE SW	EL2802
5 MOTOR	EL1821	14 START SWITCH	EL1309	23 BACK PLATE	100318
6 COUPLER	CP1315	15 BLUE KNOB	100123	24 CAPACITOR	EL1412
7 BELL HOUSING	CP1001	16 RED KNOB	100124	25 COMPRESSOR BRACKET	100351
8 COMPRESSOR	CP1320	17 BLACK KNOB	100122	26 MANIFOLD	700133
9 PRESSURE SW	EL2800	18 FRONT PANEL	100137	27 HOSE 4"	100345

## REPLACEMENT KITS & ACCESSORIES

PART#	DESCRIPTION
KT3302	PISTON SEAL REPLACEMENT (middle section of compressor)
KT3303	VALVE REPLACEMENT KIT (top section of compressor)
KT3307	COMPRESSOR REPAIR KIT (all three sections of compressor)
KT3308	SHAFT REPLACEMENT KIT (bottom section of compressor)