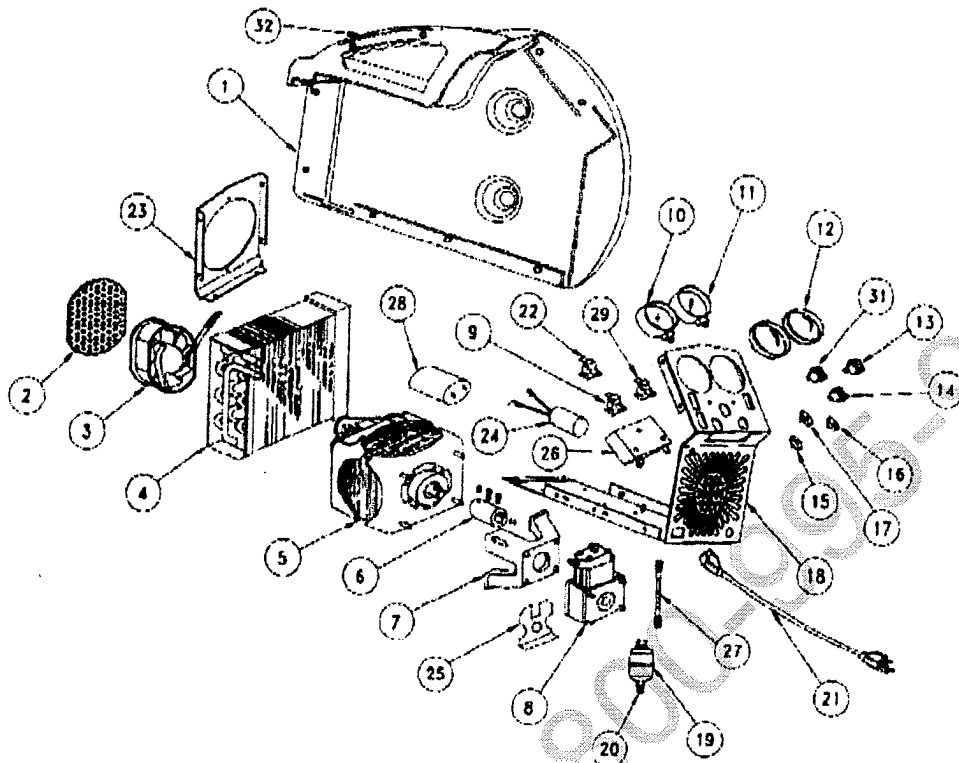


RG5410EX DIAGRAM



RG5410EX PARTS LIST

ITEM DESCRIPTION	PART#	ITEM DESCRIPTION	PART#	ITEM DESCRIPTION	PART#
1. PLASTIC CASE	536752 (L&R)	11. OUTPUT GAUGE	534488	22. HIGH PRESSURE SW	EL2802
2. FAN GRILL	100505	12. GAUGE LENS	GA1000	23. BACK PLATE	100318
3. AXIAL FAN	EL1817	13. ON/OFF SWITCH	EL1310	24. START CAPACITOR	536754
4. CONDENSER	CD1201	14. START SWITCH	EL1309	25. COMPRESSOR BRACKET	100351
5. MOTOR MODIFIED	536756	15. BLUE KNOB	100123	26. MANIFOLD	535396ASM
6. COUPLER	534483	16. RED KNOB	100124	27. HOSE 4'	100345
7. BELL HOUSING	CP1001	17. BLACK KNOB	100122	28. RUN CAPACITOR	536755
8. COMPRESSOR	535398ASM	18. FRONT PANEL	535388	29. LOW PRESSURE SW	113726
9. PRESSURE SW	EL2800	19. FILTER	100343	30. CHECK VALVE (NS)	116418
10. INPUT GAUGE	534487	20. FLARE CAP	NB6501	31. ON/OFF/ON SWITCH	536768
		21. POWER CORD	111443	32. HANDLE GRIP	536769

REPLACEMENT KITS & ACCESSORIES

PART#	DESCRIPTION
536774	VALVE REPLACEMENT KIT (TOP SECTION OF COMPRESSOR)
536772	PISTON SEAL REPLACEMENT KIT (MIDDLE SECTION OF COMPRESSOR)
536776	PISTON BUSHING -PIN REPLACEMENT KIT
KT3308	SHAFT REPLACEMENT KIT (BOTTOM SECTION OF COMPRESSOR)
536770	COMPRESSOR REPAIR KIT (ALL THREE SECTIONS OF COMPRESSOR)
KT5001	80% CAPACITY TANK SENSING KIT
RGT30	30 LB RECOVERY TANK (350PSI WORKING PRESSURE) WITH CAPACITY SENSOR
RGT30NS	SAME AS RGT30, WITHOUT SENSOR
RGT50	50LB RECOVERY TANK (350PSI WORKING PRESSURE) WITH CAPACITY SENSOR
RGT50NS	SAME AS RGT50, WITHOUT SENSOR
RGT50HP	50LB RECOVERY TANK, HIGH PRESSURE (400PSI WORKING PRESSURE) WITH CAPACITY SENSOR
ADS-100	REFRIGERANT SCALE, 200LB CAPACITY, WITH REMOVAL PLATFORM