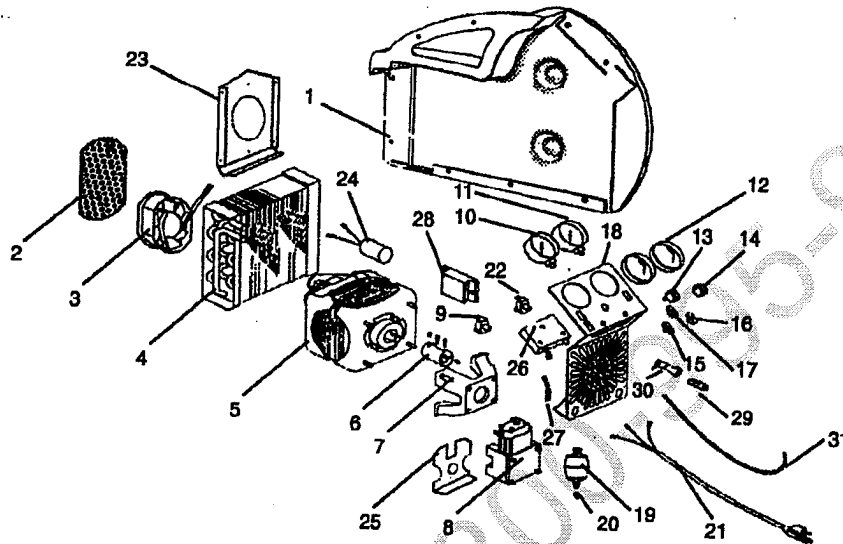


RG5410A-KT DIAGRAM



RG5410A-KT PARTS LIST

ITEM DESCRIPTION	PART#	ITEM DESCRIPTION	PART#	ITEM DESCRIPTION	PART#
1 PLASTIC CASE	100134 (L&R)	10 INPUT GAUGE	GA1500	21 CORD SET	100520
2 FAN GRILL	100505	11 OUTPUT GAUGE	GA0800	22 HIGH PRESSURE SW	EL2802
3 AXIAL FAN	EL1817	12 GAUGE LENS	GA1000	23 BACK PLATE	100318
4 CONDENSER	CD1201	13 ON/OFF SWITCH	EL1310	24 CAPACITOR	EL1412
5 MOTOR	EL1821	14 START SWITCH	EL1309	25 COMPRESSOR BRACKET	100351
6 COUPLER	CP1315	15 BLUE KNOB	100123	26 MANIFOLD	700133
7 BELL HOUSING	CP1001	16 RED KNOB	100124	27 HOSE 4"	100345
8 COMPRESSOR	CP1320	17 BLACK KNOB	100122	28 RELAY	EL1500
9 LO PRESSURE SW	EL2800	18 FRONT PANEL	100137	29 FUSE, 0.5A 250V 5x20mm	04203
		19 FILTER	100343	30 FUSE HOLDER	100419
		20 FLARE CAP	NB8501	31 TANK SENSOR CORD	EL1420

REPLACEMENT PARTS & ACCESSORIES

PART#	DESCRIPTION
KT3302	PISTON SEAL REPLACEMENT (middle section of compressor)
KT3303	VALVE REPLACEMENT KIT (top section of compressor)
KT3307	COMPRESSOR REPAIR KIT (all three sections of compressor)
KT3308	SHAFT REPLACEMENT KIT (bottom section of compressor)
RGT50HP	50 LB RECOVERY TANK, HIGH PRESSURE (400 psi working pressure) with capacity sensor
ADS-100	REFRIGERANT SCALE, 200LB CAPACITY, WITH REMOVABLE PLATFORM